

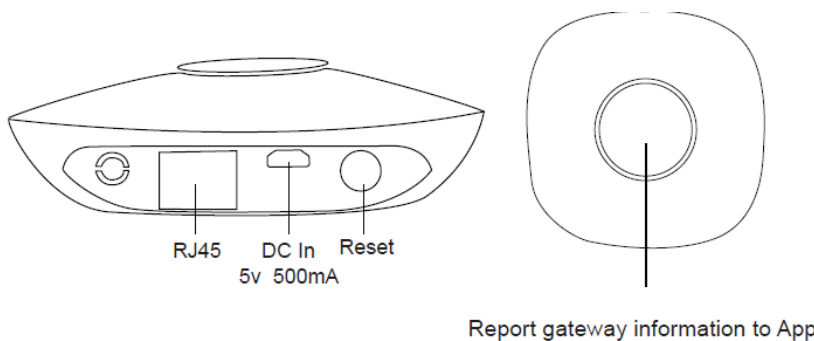
Module Function:

CEZGW is a kind of HA1.2 Ethernet-Zigbee gateway. Application sends commands to gateway for Aera/Scene/Schedule/Settings/Power metering/Alerts/Account management/OTA functions. One gateway supports 100 devices.

Product Image:

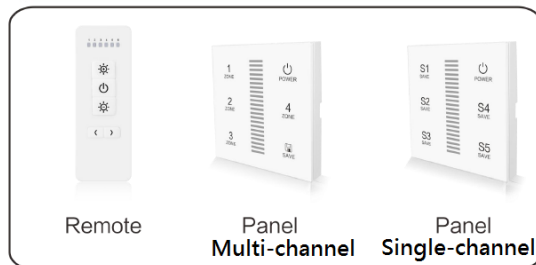
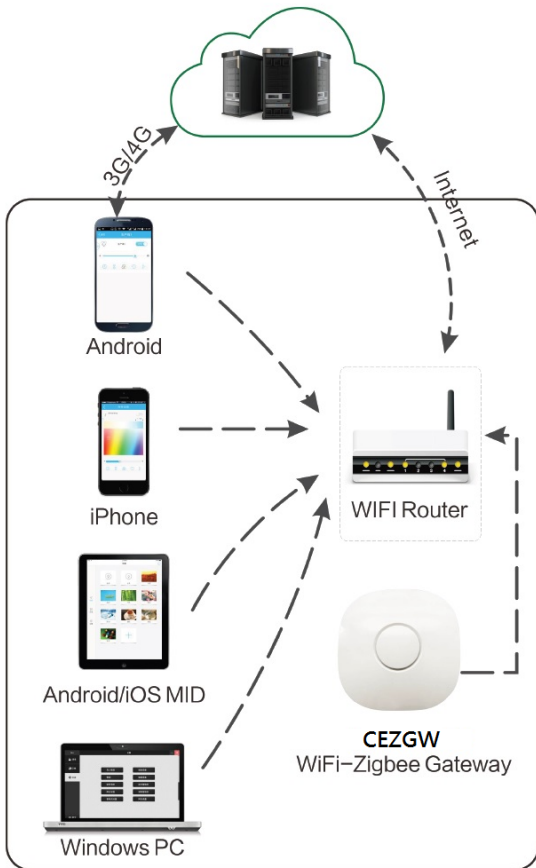


Input Definition:

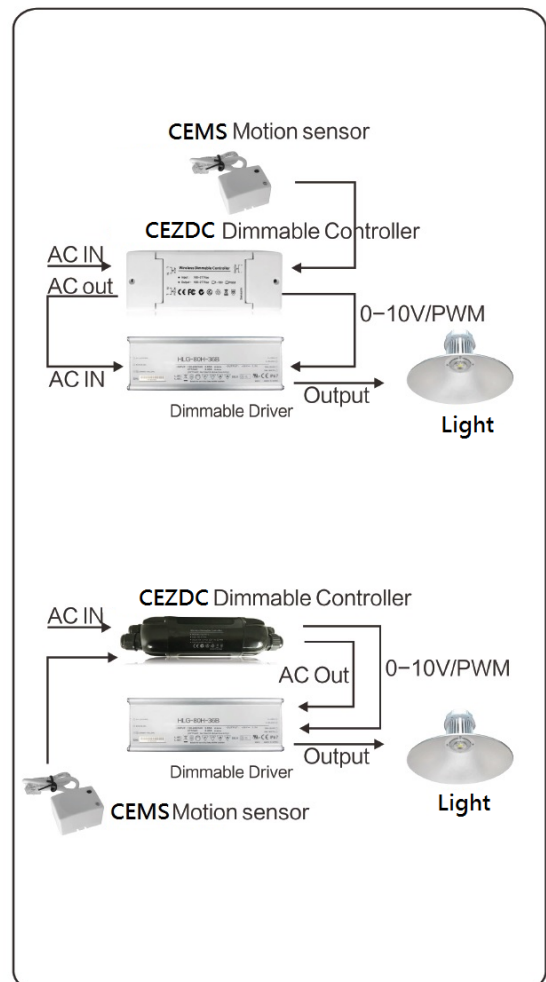


The reset key is only to reset the Admin account password.

System Block Diagram:



Control



Lights

Software Operation:

The following describes the operating steps.

- a) Download and install the software.
- b) Power on gateway and open the APP, Press the center key of gateway.
- c) Login APP with account 'Admin' and default password '00000000'.
- d) Add device or group in Settings menu.
- e) Add Area or Scene or Schedule by account.
- f) Control device in Area or set binding in Binding settings menu.

Detail information please see Ethernet-ZigBee Gateway User Guide.pdf.

	Function	Gateway Power Status
1	Area/Scene/Schedule control	Need power on
2	Sensor binding/Sensor parameters setting	Need power on
3	Power metering/Alerts/Status report	Need power on
4	Touch dimmer binding setting	Need power on
5	Touch dimmer control	No need power on
6	Sensor control	No need power on

Environment and Electrical Parameters:

The following describes the parameters of environmental and electrical performance of this product.

Parameters	CEZGW
Adapter input volatge	AC 100-240V
Gateway input voltage	5V
Frequency	2.4GHz
Operating temperature	-20°C to 55°C
Control range (to first device)	30m
OTA	Yes

Dimension:

106mm x 106mm x 30mm

Weight:

96g