

Zigbee 2.4G Wireless 0-10V Dimming Controller

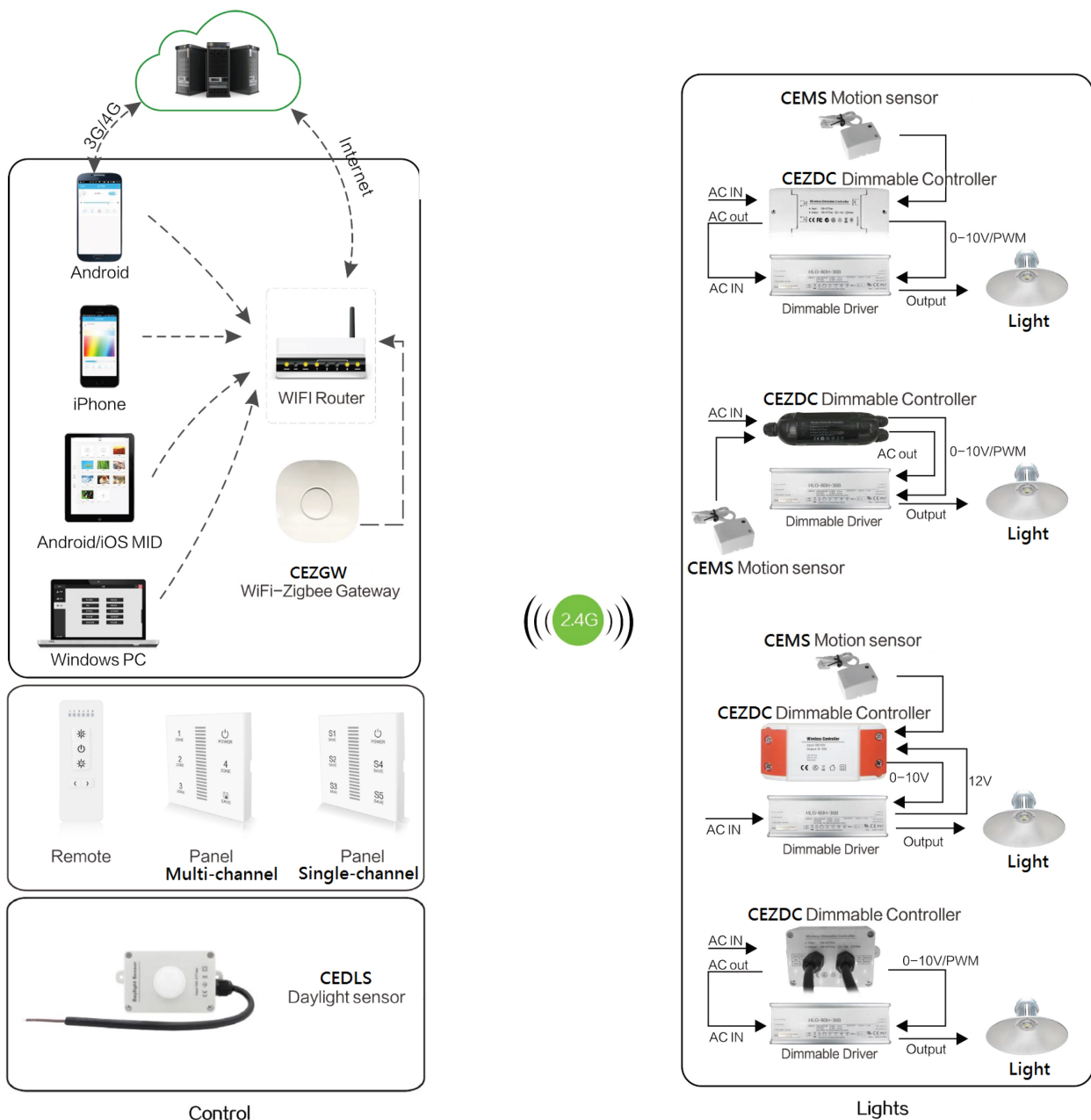
Model: CEZDC



Module Function:

CEZDC is a dimming controller with built-in zigbee wireless transceiver module. It is developed base on ZLL/HA1.2/Zigbee3.0 standard agreement. It can be used with Meanwell, Philips and other 0-10V dimmable driver on the market. The controller can be controlled by mobile APP, dimming panel, remote control. It supports connection with daylight sensor and motion sensor. The controller can be adapted to Philips "HUE", Osram "Lightify" and "Lightify Pro" and other base ZLL/HA1.2/Zigbee3.0 standard gateway and compatible to Amazon echo/alexa.

System Block Diagram:



Product Image:

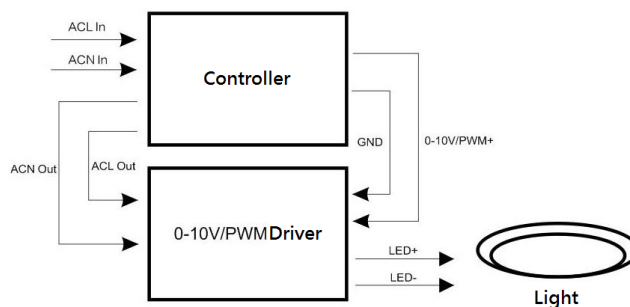


Definition of Input and Output:

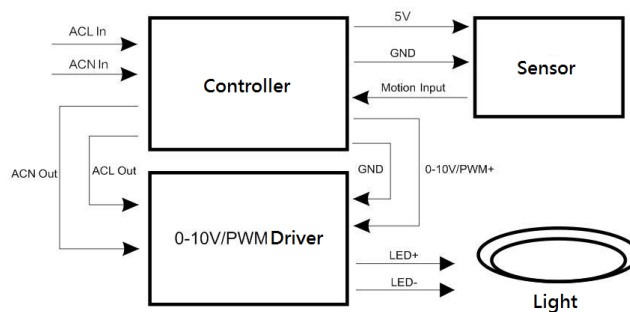
1. The following describes the definition of controller's interface:

Legend		Description
AC In	L	input AC 100-277V live
	N	input AC 100-277V neutral
AC Out	L	output AC 100-277V live (to constant current driver)
	N	output AC 100-277V neutral (to constant current driver)
Dim Out	DIM	0-10V output control line positive
	DIM-	0-10V output control line negative
Sensor In		sensor interface

2. The wiring diagram of hardware system:



Without light sensor or motion sensor



With light sensor or motion sensor

Model Information:

Model	Description
CEZDC	Basic version (0-10V dimming, external antenna.)
CEZDC-MD	Motion and daylight sensor combined version
CEZDC-MB	Motion sensor binding version

Parameters of Environmental and Electrical:

The following describes the parameters of environmental and electrical performance of this product.

Parameters	CEZDC	CEZDC-MD	CEZDC-MB
Input voltage	AC 100-277Vac	AC 100-277Vac	AC 100-277Vac
Output voltage	0-10V	0-10V	0-10V
0-10V maximum output current	15mA	15mA	15mA
Maximum switch current	10A	10A	10A
Wireless frequency	2.4GHz	2.4GHz	2.4GHz
Working temperature	-40°C to 85°C	-40°C to 85°C	-40°C to 85°C
Compatible Driver	Meanwell, MOSO, etc	Meanwell, MOSO, etc	Meanwell, MOSO, etc

Dimension:

140mm x 50mm x 30mm

Weight:

100g